



Plaquettes de freins pour étriers AP

**CP2195D38**

Pad Thickness = 10.5mm (0.40")  
 Pad Depth = 38.4mm (1.51")  
 Pad Area = 22.4cm<sup>2</sup> (3.47in<sup>2</sup>)

**CP2270D46**

Pad Thickness = 16.6mm (0.65")  
 Pad Depth = 46mm (1.81")  
 Pad Area = 56.3cm<sup>2</sup> (8.27in<sup>2</sup>)

**CP2279D46**

Pad Thickness = 20.4mm (0.80")  
 Pad Depth = 46.0mm (1.81")  
 Pad Area = 54.4cm<sup>2</sup> (8.86in<sup>2</sup>)

**CP2279D50**

Pad Thickness = 20.4mm (0.80")  
 Pad Depth = 50.3mm (1.98")  
 Pad Area = 57.4cm<sup>2</sup> (8.89in<sup>2</sup>)

**CP2340D38**

Pad Thickness = 15.9mm (0.63")  
 Pad Depth = 38.0mm (1.50")  
 Pad Area = 37.1cm<sup>2</sup> (5.75in<sup>2</sup>)

**CP2340D40**

Pad Thickness = 15.9mm (0.63")  
 Pad Depth = 40mm (1.57")  
 Pad Area = 38.5cm<sup>2</sup> (5.96in<sup>2</sup>)

**CP2340D43**

Pad Thickness = 15.9mm (0.63")  
 Pad Depth = 43.1mm (1.70")  
 Pad Area = 40.4cm<sup>2</sup> (6.26in<sup>2</sup>)

**CP2340D51**

Pad Thickness = 15.9mm (0.63")  
 Pad Depth = 50.8mm (2.0")  
 Pad Area = 43.4cm<sup>2</sup> (6.73in<sup>2</sup>)

**CP2372D52**

Pad Thickness = 15.9mm (0.63")  
 Pad Depth = 52.3mm (2.06")  
 Pad Area = 34.61cm<sup>2</sup> (5.36in<sup>2</sup>)

**CP2399D43**

Pad Thickness = 14.3mm (0.56")  
 Pad Depth = 43.0mm (1.69")  
 Pad Area = 27.7cm<sup>2</sup> (4.29in<sup>2</sup>)

**CP2702D53**

Pad Thickness = 18.0mm (0.70")  
 Pad Depth = 53.3mm (2.09")  
 Pad Area = 49.55cm<sup>2</sup> (7.68in<sup>2</sup>)

**CP2712D44**

Pad Thickness = 14.8mm (0.58")  
 Pad Depth = 43.5mm (1.71")  
 Pad Area = 25.39cm<sup>2</sup> (3.93in<sup>2</sup>)



**CP2749D66**

Pad Thickness = 25.0mm (0.98")  
 Pad Depth = 65.5mm (2.58")  
 Pad Area = 77.84cm<sup>2</sup> (12.06in<sup>2</sup>)

**CP2868D38**

Pad Thickness = 6.95mm (0.27")  
 Pad Depth = 38.4mm (1.51")  
 Pad Area = 22.4cm<sup>2</sup> (3.47in<sup>2</sup>)

**CP3086D37**

Pad Thickness = 8.0mm (0.31")  
 Pad Depth = 37.0mm (1.45")  
 Pad Area = 26.13cm<sup>2</sup> (4.05in<sup>2</sup>)

**CP3215D42**

Pad Thickness = 16.75mm (0.66")  
 Pad Depth = 42.2mm (1.66")  
 Pad Area = 51.9cm<sup>2</sup> (8.04in<sup>2</sup>)

**CP3215D46**

Pad Thickness = 16.75mm (0.66")  
 Pad Depth = 45.67mm (1.79")  
 Pad Area = 54.6cm<sup>2</sup> (8.45in<sup>2</sup>)

**CP3215D50**

Pad Thickness = 16.75mm (0.66")  
 Pad Depth = 50.29mm (1.98")  
 Pad Area = 57.36cm<sup>2</sup> (8.89in<sup>2</sup>)

**CP3345D38**

Pad Thickness = 15.9mm (0.66")  
 Pad Depth = 38.0mm (1.49")  
 Pad Area = cm<sup>2</sup> (in<sup>2</sup>)

**CP3345D44**

Pad Thickness = 15.9mm (0.66")  
 Pad Depth = 44.14mm (1.74")  
 Pad Area = 43.47cm<sup>2</sup> (6.73in<sup>2</sup>)

**CP3558D46**

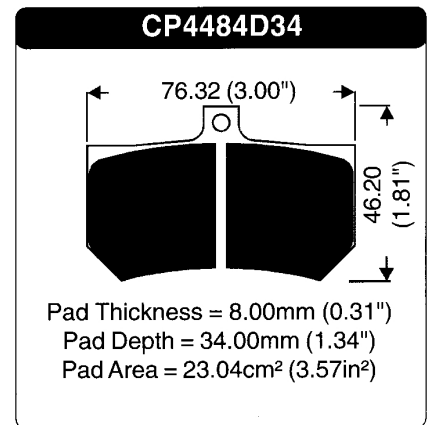
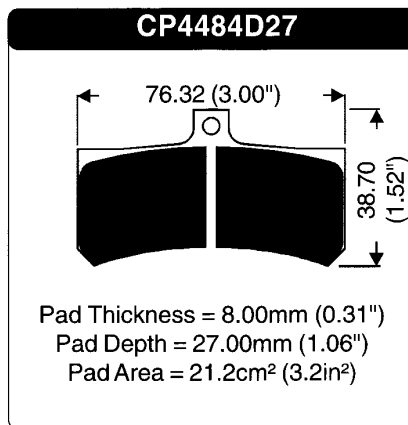
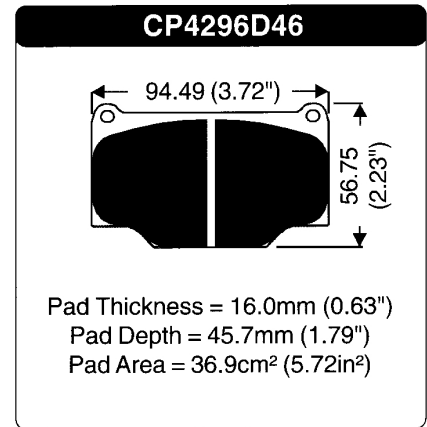
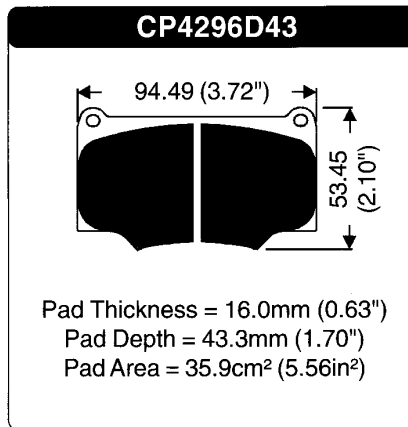
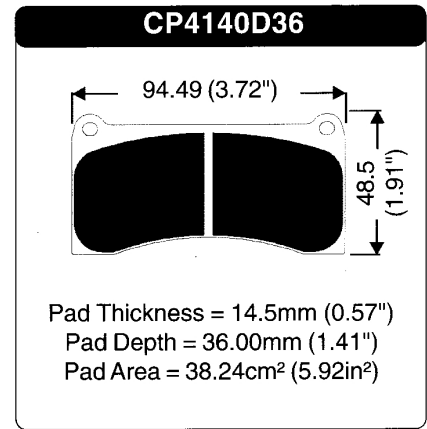
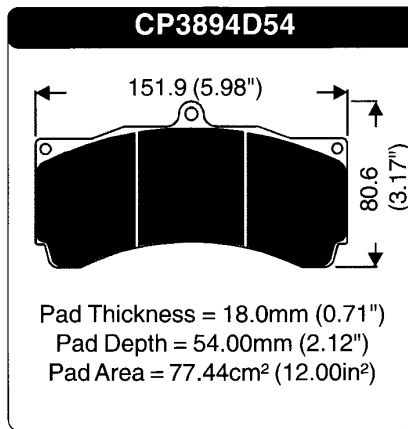
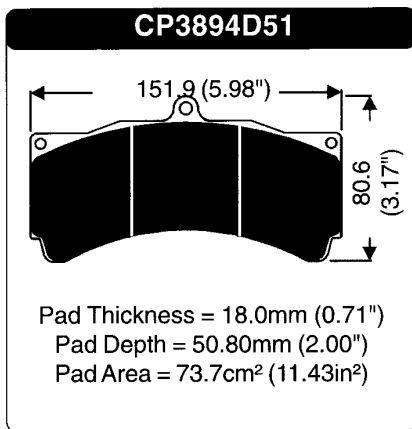
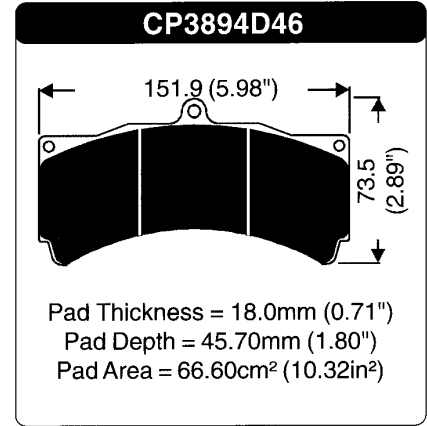
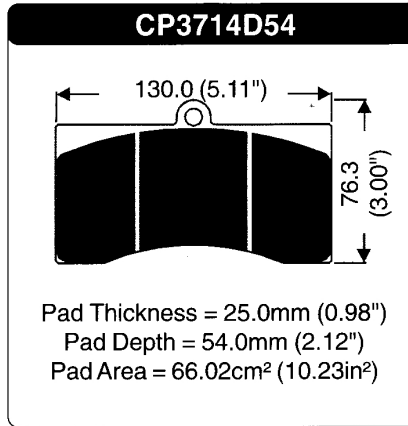
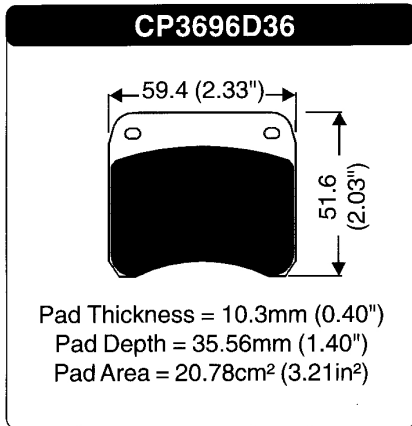
Pad Thickness = 25.0mm (0.98")  
 Pad Depth = 45.70mm (1.80")  
 Pad Area = 66.6cm<sup>2</sup> (10.32in<sup>2</sup>)

**CP3558D51**

Pad Thickness = 25.0mm (0.98")  
 Pad Depth = 50.80mm (2.00")  
 Pad Area = 73.70cm<sup>2</sup> (11.43in<sup>2</sup>)

**CP3558D54**

Pad Thickness = 25.0mm (0.98")  
 Pad Depth = 54.0mm (2.12")  
 Pad Area = 77.43cm<sup>2</sup> (12.00in<sup>2</sup>)





**CP4595D54**

Pad Thickness = 28.50mm (1.12")  
 Pad Depth = 54.00mm (2.12")  
 Pad Area = 77.44cm<sup>2</sup> (12.00in<sup>2</sup>)

**CP5070D50**

Pad Thickness = 17.00mm (0.67")  
 Pad Depth = 51.50mm (2.02")  
 Pad Area = 77.20cm<sup>2</sup> (11.96in<sup>2</sup>)

**CP5119D50**

Pad Thickness = 14.35mm (0.56")  
 Pad Depth = 50.00mm (1.96")  
 Pad Area = 33.70cm<sup>2</sup> (5.22in<sup>2</sup>)

**CP5148D46**

Pad Thickness = 15.0mm (0.59")  
 Pad Depth = 46.00mm (1.81")  
 Pad Area = 35.50cm<sup>2</sup> (5.50in<sup>2</sup>)

**CP5510D43**

Pad Thickness = 20.00mm (0.78")  
 Pad Depth = 43.00mm (1.69")  
 Pad Area = 39.39cm<sup>2</sup> (6.10in<sup>2</sup>)

**CP5788D48**

Pad Thickness = 20.00mm (0.78")  
 Pad Depth = 48.00mm (1.88")  
 Pad Area = 63.2cm<sup>2</sup> (9.79in<sup>2</sup>)

**CP5805D45**

Pad Thickness = 19.8mm (0.77")  
 Pad Depth = 45.00mm (1.77")  
 Pad Area = 68.07cm<sup>2</sup> (10.55in<sup>2</sup>)

**CP5820D62**

Pad Thickness = 29.8mm (1.17")  
 Pad Depth = 62.00mm (2.44")  
 Pad Area = 89.84cm<sup>2</sup> (13.78in<sup>2</sup>)

**CP5850D62**

Pad Thickness = 27.7mm (1.09")  
 Pad Depth = 62.00mm (2.44")  
 Pad Area = 78.88cm<sup>2</sup> (12.22in<sup>2</sup>)

**CP6050D50**

Pad Thickness = 20.00mm (0.78")  
 Pad Depth = 50.00mm (1.96")  
 Pad Area = 38.80cm<sup>2</sup> (6.01in<sup>2</sup>)

**CP6210D54**

Pad Thickness = 30.0mm (1.18")  
 Pad Depth = 54.00mm (2.12")  
 Pad Area = 83.07cm<sup>2</sup> (12.97in<sup>2</sup>)

**CP6230D54**

Pad Thickness = 25.00mm (0.98")  
 Pad Depth = 54.00mm (2.12")  
 Pad Area = 81.62cm<sup>2</sup> (12.65in<sup>2</sup>)



**CP6600D55**

Pad Thickness = 16.75mm (0.66")  
 Pad Depth = 55.00mm (2.16")  
 Pad Area = 64.60cm<sup>2</sup> (10.01in<sup>2</sup>)

**CP7040D54**

Pad Thickness = 16.75mm (0.66")  
 Pad Depth = 54.00mm (2.12")  
 Pad Area = 68.35cm<sup>2</sup> (10.59in<sup>2</sup>)

**CP7040D61**

Pad Thickness = 16.75mm (0.66")  
 Pad Depth = 61.00mm (2.40")  
 Pad Area = 72.50cm<sup>2</sup> (11.23in<sup>2</sup>)

**CP7600D43**

Pad Thickness = 16.00mm (0.63")  
 Pad Depth = 43.0mm (1.69")  
 Pad Area = 42.20cm<sup>2</sup> (6.54in<sup>2</sup>)

**CP7600D46**

Pad Thickness = 16.00mm (0.63")  
 Pad Depth = 46.2mm (1.81")  
 Pad Area = 43.50cm<sup>2</sup> (6.74in<sup>2</sup>)